

## Installation & Service Information

### Description

Singflo FLO Series Industrial Pumps are designed for a wide range of applications and are constructed from a selection of materials suitable for handling a broad range of chemicals. The FLO series of diaphragm pumps are self-priming and can be run dry without harm. They are intended for intermittent duty cycles but can be run continuously for short periods of time. The higher the duty cycle the shorter the expected life of the pump.

Typical pump uses are liquid transfer, spraying, circulation, filtration and dispensing.

### Operation

To start and prime the pump, the discharge line must be open allowing trapped air to escape thus avoiding the potential of airlock. The pressure switch will shut off the pump automatically when the discharge valve is closed and the pressure has risen to the switch OFF set point. The pressure switch will restart the pump when a valve is opened and the discharge line pressure drops to the ON set point of the pressure switch.

### Demand Operation (intermittent duty)

Demand operation is considered an "intermittent duty" application. The maximum intermittent duty cycle is that which will cause the motor to reach its maximum thermal limits. Once the maximum thermal limit is reached, the motor must be allowed to settle to a lower temperature ideally being ambient before resuming operation. Running the pump at or near the maximum thermal limit for extended period of time will shorten the life of the pump and may result in immediate pump failure.

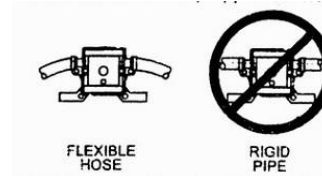
### Bypass operation (if equipped)

Models equipped with an external bypass system are designed to pump at high pressures while at low or high flow rates. Models equipped with a bypass only will continue to run until the power is manually turned off.

If mounting the singflo pump in an outdoor environment the pump should be shielded from water, dust, sunlight and wash down spray. Do not assume chemical compatibility. If the fluid is improperly matched to the pumps elastomers, the pump may fail to prime, have low pressures or the pressure switch may not shut off.

### Plumbing

Use flexible hose of the correct pressure rating that is compatible with the fluid to be pumped. Tubing should be a minimum of 3/8" (9.5mm) ID and at least 20 inches (508mm) in length to avoid excess stress on the pump ports. Do not crimp or kink the tubing.



The use of check valves in the plumbing system could interfere with the priming ability of the pump. If a check valve is installed in the plumbing it must have a cracking pressure of no more than 2 PSI (0.14 bar).

Use of a minimum 40-mesh strainer or filter in the pump inlet line will prevent foreign debris from entering the system. Failures due to foreign debris entering the pump will not be covered under the limited warranty.

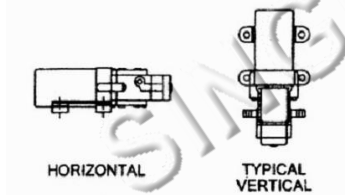
## WARNING

**Risk of an electrical shock!**

The FLO pumps are not recommended for continuous duty service due to limited motor brush life. Operation at lower pressures and temperatures. However, will extend overall pump service life.

### Mounting

The singflo FLO Series pumps are self-priming. Vertical prime may vary depending on the fluid viscosity, suction tube size, foot valve and pump configuration. The pump should be mounted in a dry and adequately ventilated area. If mounted within an enclosure, provisions to cool the motor may be necessary.



### Preventative Maintenance Tips

If pumping a liquid other than water the pump should be flushed with water (if applicable) after each use.

Before freezing conditions occur, the pump must be liquid free or winterized with proper anti-freezing chemicals.

When wiring electrically driven pumps, follow all electrical and safety codes, as well as the most recent National Electrical Code (NEC) and the Occupational Safety and Health Act (OSHA).

Make certain the power source conforms to the pump voltage. Be sure all power is disconnected before installation.

The pump should be wired to an individual (dedicated) circuit, controlled with an UL/C-UL certified double pole switch rated at or above the fuse ampere indicated on the pump motor label.

On 12 and 24 volt pumps the red lead is positive and should be connected to the battery plus (+) terminal. The black lead is ground and should be connected to the battery minus (-) terminal. Use T6 AWG wire minimum. Use a 5AMP fuse to protect the system wiring and components.

Improper duty cycle and/or rapid start stop conditions caused by undersized spray nozzles will cause the internal thermal breaker (if equipped) to trip. or can cause premature motor failure due to excessive heat.



**DO NOT PUMP GASOLINE OR FLAMMABLE FLUIDS OR USE WHERE FLAMMABLE VAPORS ARE PRESENT.**

### Dimensional

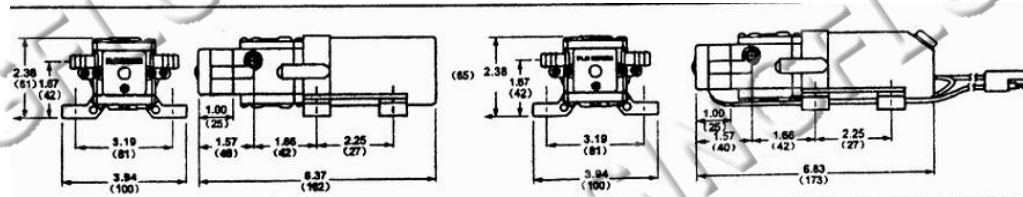
#### Drawint

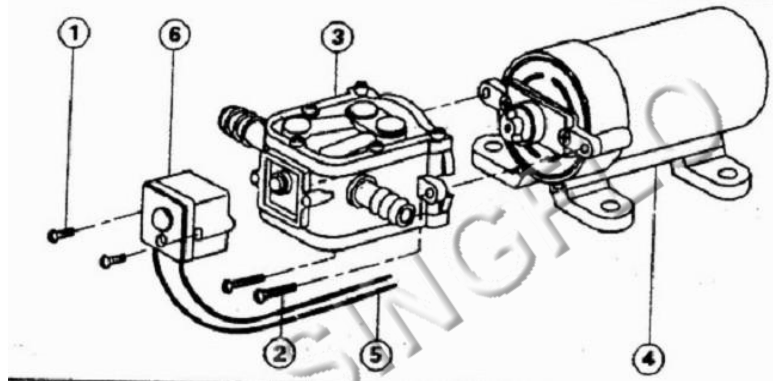
Inches (Millimeters)

Dimensional tolerances

±0.06 inches

Consult factory if precise details are required.





KEY	DESCRIPTION	KEY	DESCRIPTION
1	Switch cover screws	4	Motor
2	Pump head screws	5	Lead wires
3	Pump head	6	Pressure switch

**Disassemble**  
Pump Head

**Reassembly**  
Pump head(3) to Motor (4)

1. Take precautions to prevent injury due to chemical contact during maintenance.
2. Flush pump with water or neutralizing agent before servicing if the pump has been used to transport chemicals.
3. Disconnect the power to the pump motor.
4. Remove the pressure switch cover by removing the single screw (1) from pressure switch and remove switch cover.
5. Remove wires (5) from pressure switch by gently sliding female spade terminals away from the male spade connectors.
6. Remove two screws (2) from front of pump head.
7. Slide pump head (3) away from motor (4) assembly.

1. Assemble the pump head (3) to motor (4) aligning screws tabs.
2. Install screws (2) and tighten to 15 inch ounces of torque.
3. Reconnect wires (5) to pressure switch. Wires can be connected to either terminal of the pressure switch.
4. Install the pressure switch cover with screw (1).
5. Reconnect pump to liquid source.
6. Reconnect pump to power source.
7. Allow pump to prime with discharge line or spray valve open.
8. Check for leaks in discharge system.

### Troubleshooting

Failure to prime-Motor operates, but no pump discharge.

\*Debris in check valves.

\*Restricted intake or discharge line. Open all line valves, check for Jammed check valves, and clean clogged lines.

\*Air leak in intake line.

\*Punctured pump diaphragm.

\*Defective pump check valve.

\*Crack in pump housing.

#### Motor Fails to Turn On

\*Pump or equipment not plugged in electrically.

\*Loose wiring connection.

\*Pressure switch failure.

\*Defective motor or rectifier.

\*Frozen cam/bearing.

**Pump Fails to Turn Off after Discharge valves are closed.**

\*Depletion of available liquid supply.

\*Punctured pump diaphragm.

\*Discharge line leak.

\*Defective pressure switch.

\*Insufficient voltage to pump.

\*Debris in check valves.

#### Low Flow and Pressure

\*Air leak at pump intake.

\*Accumulation of debris inside pump and plumbing.

\*Worn pump bearing

(excessive noise),

\*Punctured pump diaphragm.

\*Defective rectifier or motor.

\*Insufficient voltage to pump.

#### Pulsating Flow-

#### Pump Cycling On and Off

\*Restricted pump delivery.

Check discharge lines, fitting, valves and spray nozzles for clogging or under

### Singflo Service Kits

Kits are readily available to repair standard FLO series pumps. To insure that the correct kits are received the model number and all name plate data must be included with the order. Contact us directly to order the necessary repair kits.

### Singflo PRODUCT WARRANTY

We warrant this product to be free of defects in material and/or workmanship for a period of one year after purchase by the customer. During this one year warranty period, we will at our option, at no charge to the customer, repair or replace this product if found defective, with a new or reconditioned product, but not to include costs of removal or installation. All return goods must be shipped with transportation charges prepaid.